

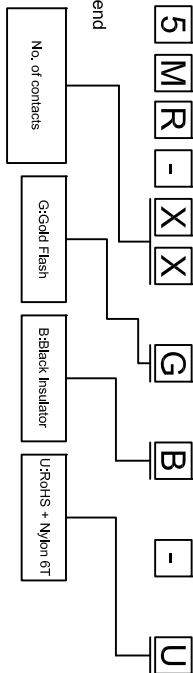
**Specifications**

Current Rating: 3A AC,DC  
 Voltage Rating: 250V AC,DC  
 Temperature Range: -25°C to +85°C  
 Contact Resistance: 20m Ω Max  
 Insulation Resistance: 1000M Ω Min  
 Withstanding Voltage: 1500V AC/minute  
 Terminal: Copper Alloy/Gold Plated  
 Material: Nylon 6T, UL94V-0

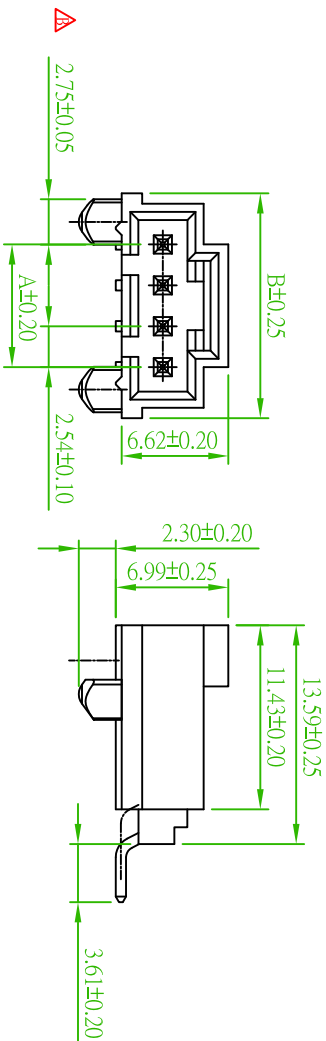
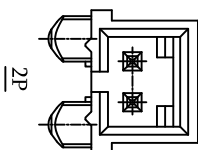
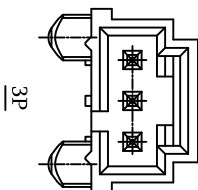
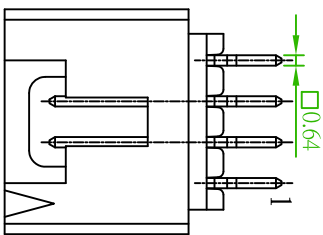
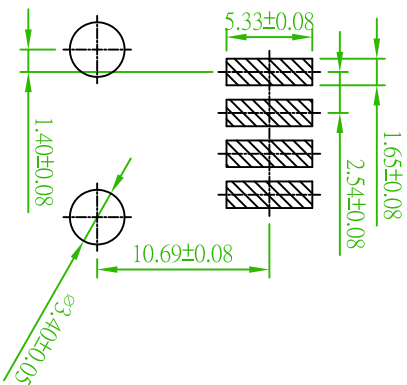
**ORDER INFORMATION**

2 5 4 5 M R - X X G B - U

◎:Standard Recommend



Part No.	Dimensions	
	A	B
2545MR-02GB-U	2.54	8.89
2545MR-03GB-U	5.08	11.43
2545MR-04GB-U	7.62	13.97
2545MR-05GB-U	10.16	16.51
2545MR-06GB-U	12.70	19.05
2545MR-07GB-U	15.24	21.59
2545MR-08GB-U	17.78	24.13
2545MR-09GB-U	20.32	26.67
2545MR-10GB-U	22.86	29.21
2545MR-11GB-U	25.40	31.75
2545MR-12GB-U	27.94	34.29



Recommended PCB Layout  
 (PCB TOLERANCE ±0.05)

AREA	REV.	DESCRIPTION	DATE
△	B	Add the Dim. of peg: 2.75±0.05	2009/09/01 Stmvs

<p>Amtek Technology Co., Ltd.                  TEL: 886-2-2268-8055                  FAX: 886-2-2268-8055</p>		品名 TITLE 2.54mm MINI LATCH WAFER SMT RIGHT ANGLE	
品號 PART NO.	圖號 DRAWING NO.	客戶品號 CUSTOMER P/N	公差 TOLERANCE
2545MR-XXGB-U	2545MR-XXGB-U	X ±0.30 XX ±0.25	
版本 REV.	繪圖 DRAWN	日期 DATE	核對 CHECKED
B	Kent	0/30/2007	Paul
比例 SCALE	核對 CHECKED	核對 CHECKED	核對 CHECKED
FREE	Paul	Paul	Paul
單位 UNIT	單位 UNIT	單位 UNIT	單位 UNIT
mm	mm	mm	mm
	核准 APPROVED	核准 APPROVED	核准 APPROVED
	James	James	James